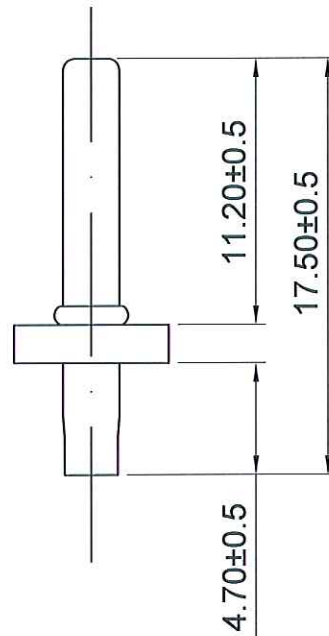
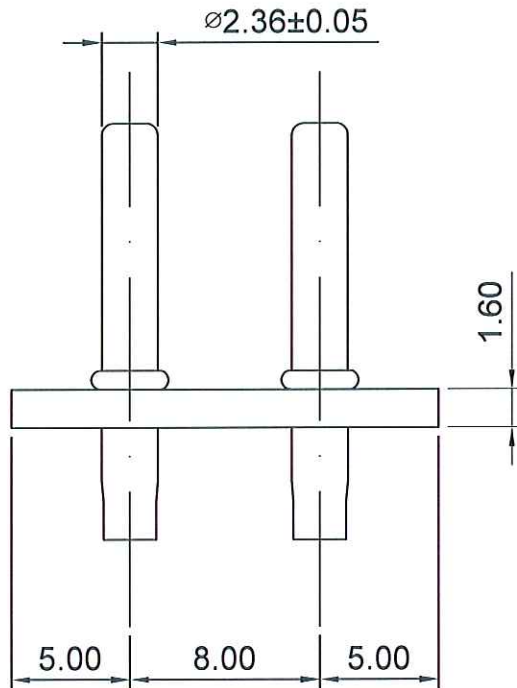
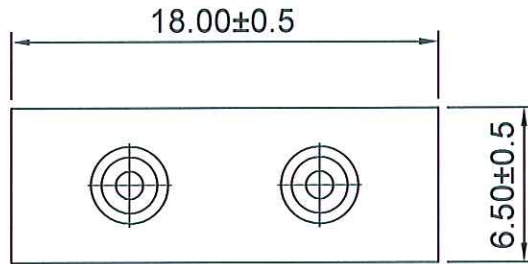


RoHS
Compliant
2002/95/EC



Specification

Current Rating : 5A, AC, DC, 250V

Withstanding Voltage :1500 VAC / minute

Insulation Resistance :1000 MΩ / minute

Temperature Range :-25°C ~ +85°C

Contact Resistance :

Initial Value : 10mΩ max.

After environmental testing : 20mΩ max.

Contact Material : Brass, Tin Plated

Insulator Material : Phenolic bakelite(94V-0)

JAWS® 兆旭股份有限公司
JAWS CO., LTD.

7F-1, NO.31, Lane 169, Kang Ning Street,
Hsichih, Taipei Hsien, Taiwan.
TEL:886-2-2692-2898
FAX:886-2-2692-2618
Http://www.jaws.com.tw

THIRD ANGLE
PROJECTION

DESIGN UNITS
mm □ INCH

TITLE:

ø2.36 WAFER

GENERAL TOLERANCES :

±0.20

DRAWN

游熾瑩

DATE

2010/02/01

SIZE:

A4

SCALE:

FREE

SHEET:

1/1

PARTS NO.:

4236A-WS-02T-B

CHECK

[Signature]

DATE

2010/02/01

CPN NO.:

DAN NO.: S9902-001

DWG NO.:

JAWS-SOP-4236A002

REV.

01

APPROVE

[Signature]

DATE

2010/02/01